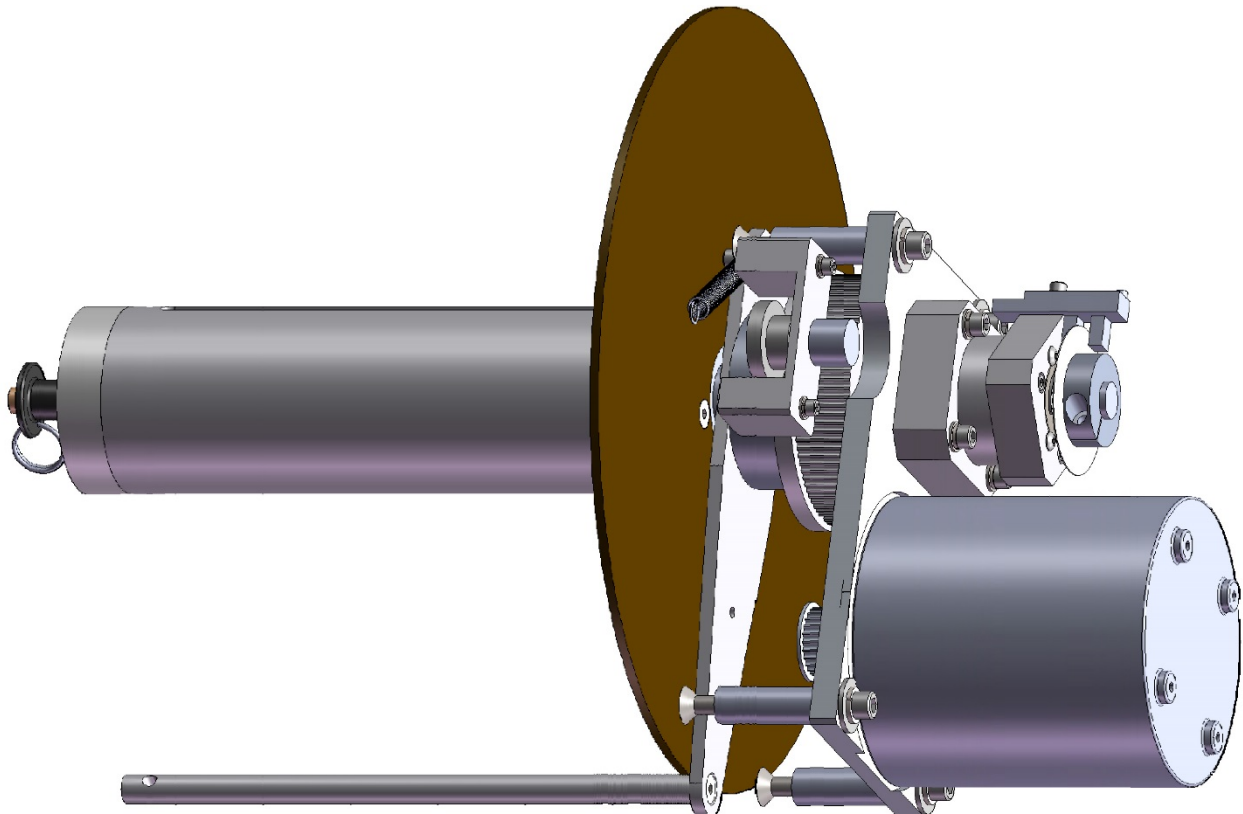


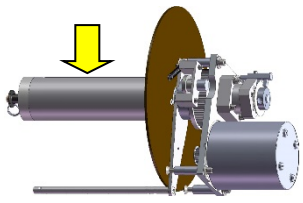




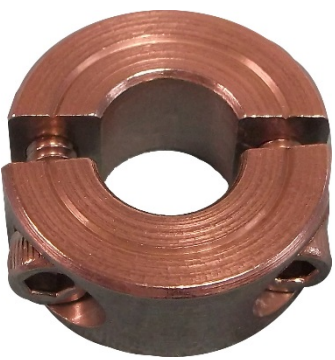
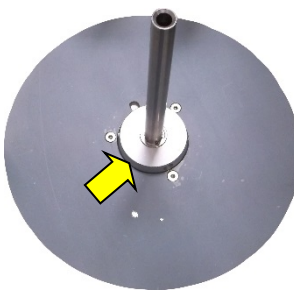
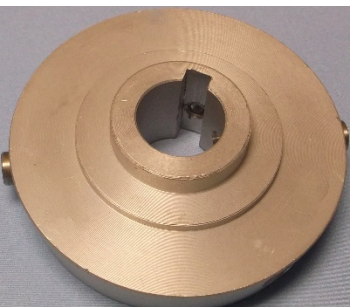
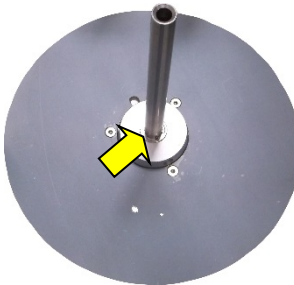



311XNV/TS 4"/7"-2000" POWERED REWIND ASY SPARE PARTS CATALOG

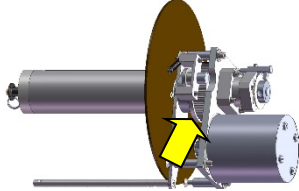

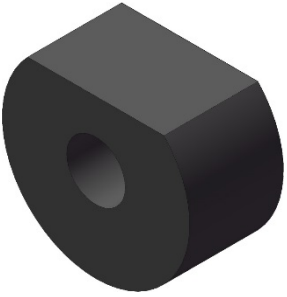
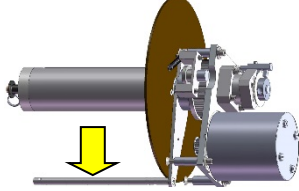
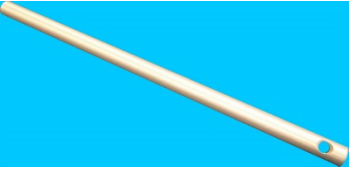
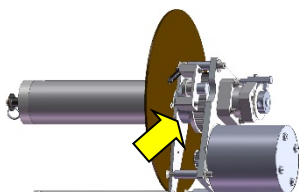

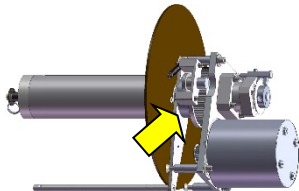

February 4, 2022
Rev 1.4



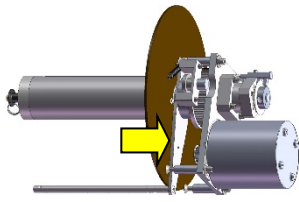

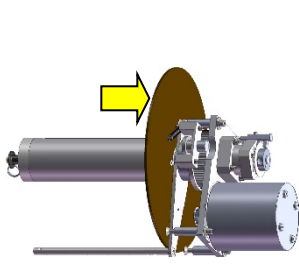
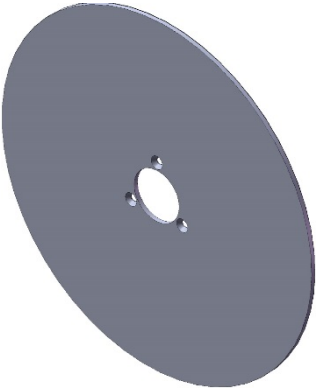
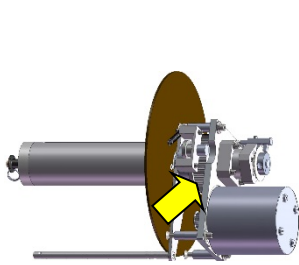
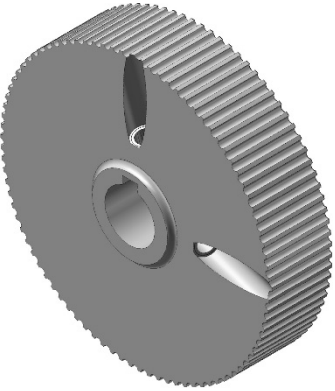
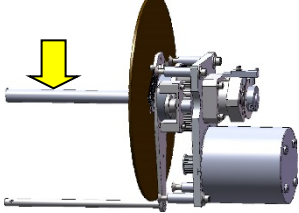
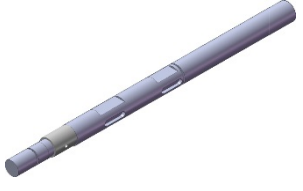
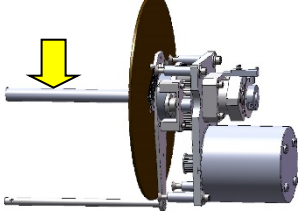
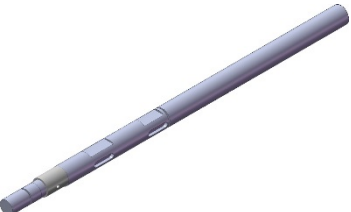
LABEL-AIRE

| 311XNV/TS 4"/7"-2000" POWERED REWIND ASY | | | | | |
|---|-----------------|--|------------|--|---|
| NO | PART NO. | DESCRIPTION | QTY | ASSEMBLY PHOTO | DETAIL PHOTO |
| 1 | 3302072SP | ASY MANDREL REWIND 7" | 1 |  |  |
| | 3302071SP | ASY MANDREL REWIND 4" | | | |
| 2 | 7706471 | PIN QUICK RELEASE BALL LOCK | 1 |  |  |
| 3 | 7700473 | COLLAR SPLIT 2 PC 0.375 ID SS | 1 |  |  |
| 4 | 3304244 | ASY HUB WITH SET SCREWS AND DOWELS | 1 |  |  |
| 5 | 7432100 | SNAP RING E- RING EXTL 0.625 SS | 1 |  |  |

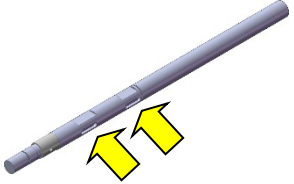
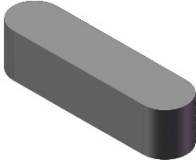
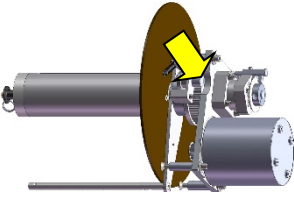

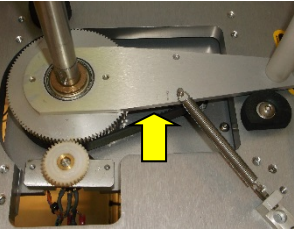

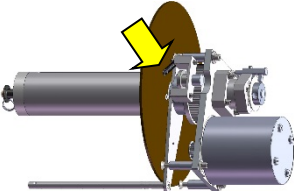

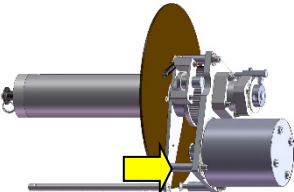

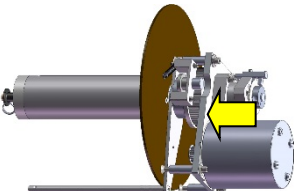

311XNV/TS 4'7"-2000" POWERED REWIND ASY

| NO | PART NO. | DESCRIPTION | QTY | ASSEMBLY PHOTO | DETAIL PHOTO |
|----|----------|------------------------------------|-----|--|---|
| 6 | 3301119 | GEAR SPUR 112T 32DP 20.0 PA | 1 |  |  |
| 7 | 3301219 | STOP DANCER ARM | 1 | |  |
| 8 | 3301221 | SHAFT DANCER NON-ROTATING 7" | 1 |  |  |
| 9 | 3301292 | SPACER DANCER ARM SPUR GEAR | 1 |  |  |
| 10 | 3301293 | SPACER BRG | 1 |  |  |

311XNV/TS 4'7"-2000" POWERED REWIND ASY

| NO | PART NO. | DESCRIPTION | QTY | ASSEMBLY PHOTO | DETAIL PHOTO |
|----|----------|---------------------------------------|-----|--|---|
| 11 | 3301294 | DANCER ARM 11/14/15 | 1 |  |  |
| 12 | 3301299 | DISK RWD 10.5 | 1 |  |  |
| 13 | 3317442 | PULLEY HTD 90- 3M-15 X .63 BORE | 1 |  |  |
| 14 | P304025 | ASY RWD SHAFT W/RACE 4" | 1 |  |  |
| 15 | L052906 | ASY RWD SHAFT W/RACE 7" | 1 |  |  |

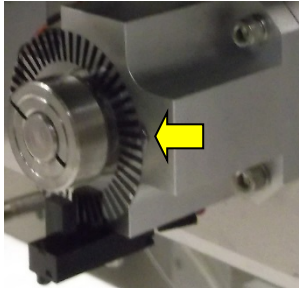

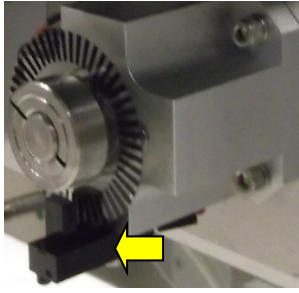
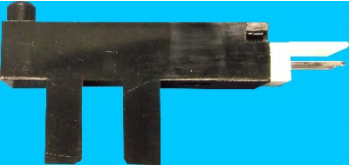
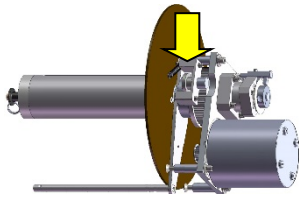
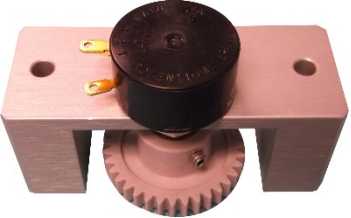
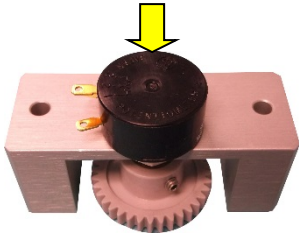

311XNV/TS 4'7"-2000" POWERED REWIND ASY

| NO | PART NO. | DESCRIPTION | QTY | ASSEMBLY PHOTO | DETAIL PHOTO |
|----|----------|--|-----|--|---|
| 16 | 7103416 | KEY 3/16 X 1.000 F/RAD EA END | 2 |  |  |
| 17 | 7473201 | BRG 0.625 X 1.375 X 0.437 | 3 |  |  |
| 18 | 7702146 | REWIND DRIVE BELT HTD 357-3M-15 | 1 |  |  |
| 19 | 7702914 | DANCER ARM SPRING EXT .312X2.63X 0.85 #IN | 1 |  |  |
| 20 | P229012 | STANDOFF PWD RWD MTG EXTD | 4 |  |  |
| 21 | P231012 | PLATE RWD MOTOR MTG NB | 1 |  |  |

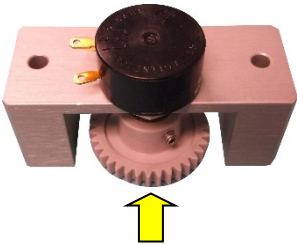

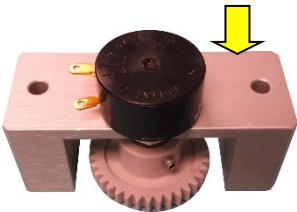
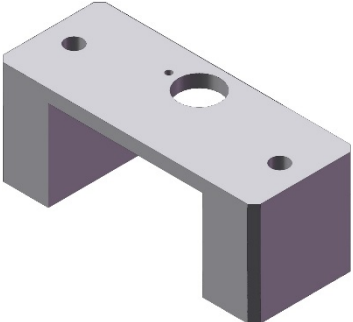
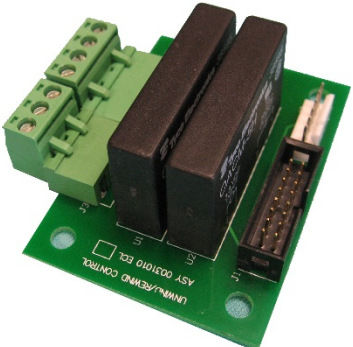
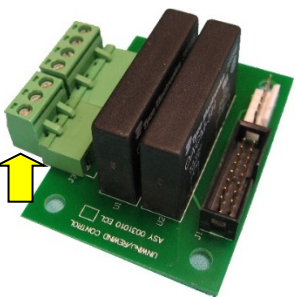
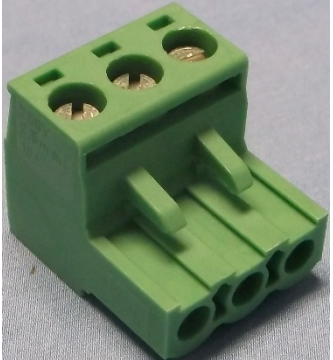
311XNV/TS 4'7"-2000" POWERED REWIND ASY

| NO | PART NO. | DESCRIPTION | QTY | ASSEMBLY PHOTO | DETAIL PHOTO |
|----|----------|---------------------------------------|-----|--|---|
| 22 | 3306003 | ASY BRG BLOCK RWD LH/RH | 1 |  |  |
| 23 | 7701217 | CLUTCH 3/4 BORE ONE WAY BEARING | 1 |  |  |
| 24 | 3301415 | REWIND ENCODER DISK | 1 |  |  |
| 25 | 7700453 | COLLAR SPLIT 1 PC 0.500 ID SS | 1 |  |  |

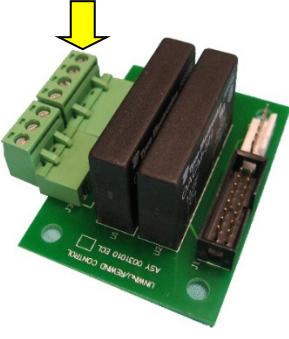
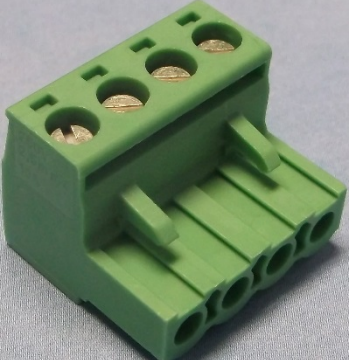
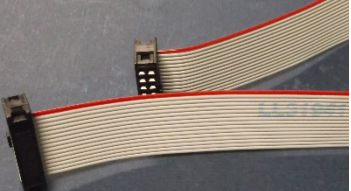



311XNV/TS 4'7"-2000" POWERED REWIND ASY

| NO | PART NO. | DESCRIPTION | QTY | ASSEMBLY PHOTO | DETAIL PHOTO |
|----|-----------|--------------------------------|-----|--|---|
| 26 | 7101525 | SNAP RING E-RING EXTL 0.500 SS | 1 |  |  |
| 27 | 9010527 | SENS GAP IR .375 THROAT OMRON | 1 |  |  |
| 28 | 3305437AP | ASY REWIND DANCER POT | 1 |  |  |
| 29 | 9034111 | POT 100K 1 TURN CONT PLAS ETI | 1 |  |  |

311XNV/TS 4'7"-2000" POWERED REWIND ASY

| NO | PART NO. | DESCRIPTION | QTY | ASSEMBLY PHOTO | DETAIL PHOTO |
|----|----------|--------------------------------------|-----|--|---|
| 30 | 7700661 | GEAR SPUR 36T 32DP 20.0PA DLRN | 1 |  |  |
| 31 | 3301296 | BRACKET POT MTG | 1 |  |  |
| 32 | 0031010 | REWIND MOTOR AC DRIVER | 1 | |  |
| 33 | 9010310 | CNCTR CBL 3PIN PWR | 1 |  |  |

311XNV/TS 4''/7''-2000'' POWERED REWIND ASY

| NO | PART NO. | DESCRIPTION | QTY | ASSEMBLY PHOTO | DETAIL PHOTO |
|----|----------|--------------------------------------|-----|--|---|
| 34 | 9010313 | CNCTR CBL 4PIN PWR | 1 |  |  |
| 35 | 0031045 | ASY/WRNG CBL UNWD/DEWIND CNTRL | 1 | |  |
| 36 | 9045201 | CAPCTR 20UF 330VAC | 1 | |  |
| 37 | 9045202 | CAPCTR BRACKET | 1 | |  |
| 38 | P229830 | ASY REWIND MOTOR WITH PULLEY | 1 | |  |